



OUR INVESTIGATIONS WILL MAKE
YOUR BUSINESS MORE ENERGY-
EFFICIENT



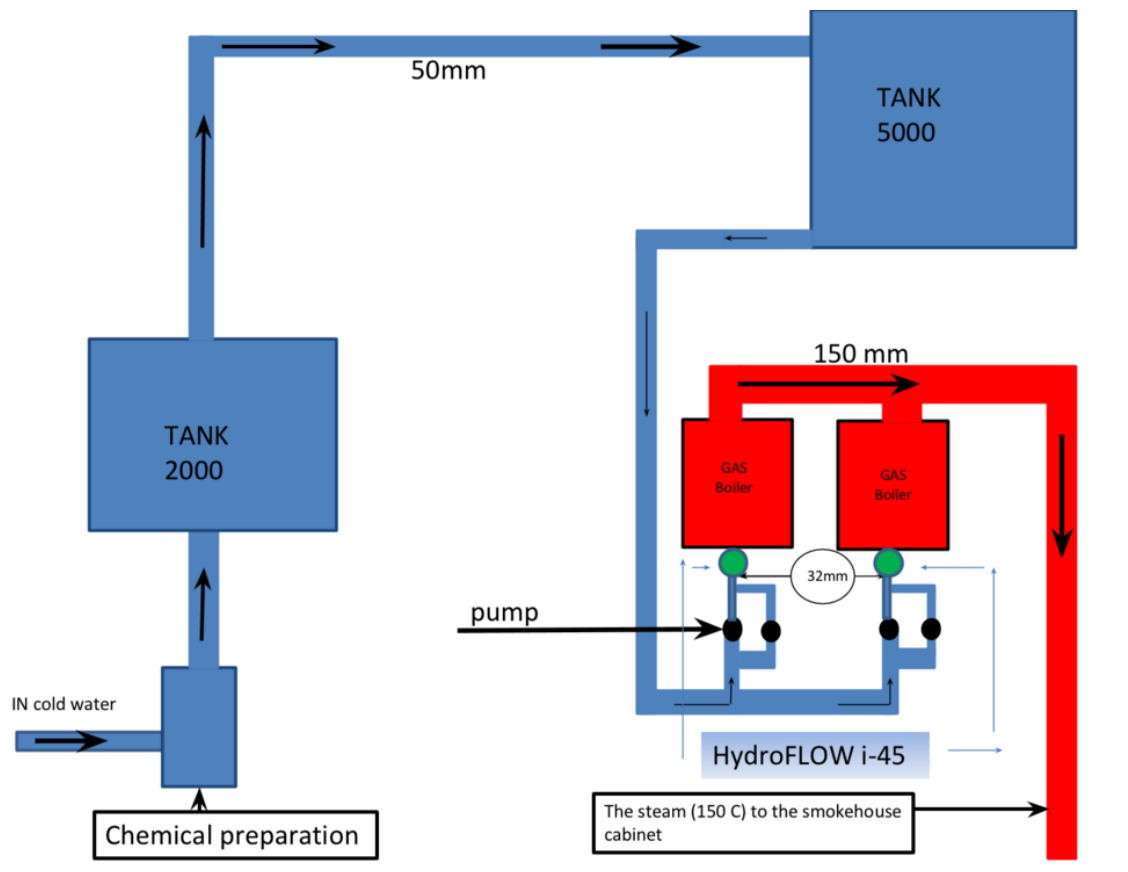
HydroFLOW

УКРАЇНА

Test installation results

Hydroflow – water preparation system
www.h-flow.com.ua





I planed to install two units iSeries before the boiler on cold water feeding (marked green on the picture). The limescale is being formed in the boiler due to impropriate water treatment. The limescale itself is not a very big problem for the plant even due to its existence, because they can remove it physically. Their main additional problem is the steam which is formed after the boiler & which has the bio-deposits that harm the production. I think that such fact (harmful steam) exists due to impropriate water preparation & water treatment. Here we'll be able to solve both problems: limescale (which exists & which they remove with their own forces) & bio-deposits (which they can't remove & that's why they are looking for the solution).

Steam boilers t=160 C



The results of work of HydroFLOW Units at Meat Processing Plant in Kharkov, Ukraine.

The biofouling has been being formed in the steam boilers during the period for approximately 7 years. Also there were present different types of deposits, bad smell. All these factors were the reasons for frequent system shut-downs for cleaning of the pipes & utility systems.

Beginning of Test Installation - January 28, 2016.

Two units HydroFLOW i45 were installed at Meat processing plant in Kharkov Ukraine. Both units were installed on steam boilers.

Test installation lasted for 105 days.

Then the water supply system to the steam boilers was open.

After opening of the water supply system the representatives from Meat Processing Plant confirmed 100% positive results of work of HydroFLOW i45 units.

The problem that the client has been struggling with for 7 years is solved. The client is very satisfied.

